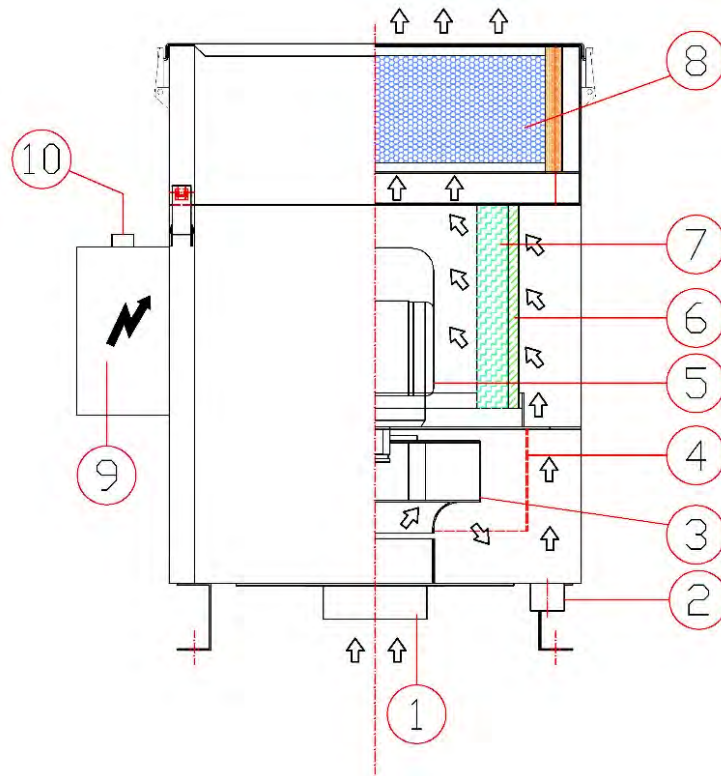
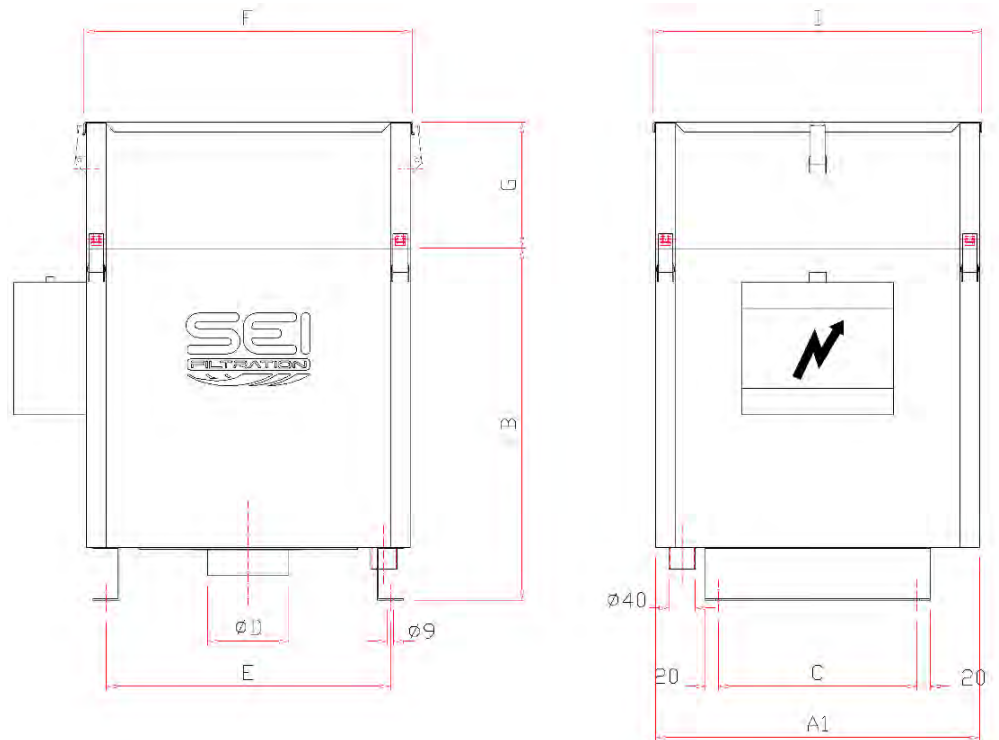


*Internal structure XMC J-SPX series (for emulsified oil)*



POS.	DESCRIPTION
1	Suction inlet
2	Drainage sleeve $\varnothing$ 40 mm
3	High prevalence impeller
4	Self-cleaning centrifugal system TCE ( <i>True Centrifugal Effect</i> )
5	Three-phase low consumption motor
6	Filtration cartridge medium efficiency class F9 (according to EN 779 norms)
7	Synthetic filters kit efficiency class M6 (according to EN 779 norms)
8	<b>Mechanical post-filter PX</b> filtration level 95% efficiency class E11 EPA (according to EN 1822 norms)
9	Control panel with overload cut-out
10	Multifunction LED device for filter status monitoring

## Dimensions XMC J-SPX series



MODEL	WEIGHT KG	A	B	C	D	E	POST-FILTER PX		
							F	G	I
XMC 400 J-SPX	40	380	445	190	100	320	380	120	380
XMC 500 J-SPX	52	420	480	230	125	360	420	190	420
XMC 1000 J-SPX	67	490	530	300	150	430	490	190	490
XMC 1500 J-SPX	95	590	630	400	200	530	590	190	590
XMC 2000 J-SPX	123	650	680	460	200	590	650	190	650

\*Dimensions expressed in millimeters. Data and characteristics can be modified without warning.